

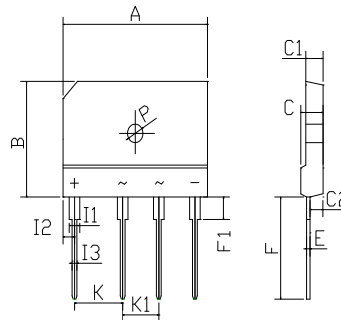


FEATURES

- Rating to 1000V PRV
- Surge overload rating to 400 Amperes peak
- Ideal for printed circuit board
- Reliable low cost construction utilizing molded plastic technique results in inexpensive product
- Lead solderable per MIL-STD-202 method 208

MECHANICAL DATA

- Polarity: Symbols molded on body
- Weight: 0.23 ounces, 6.6 grams
- Mounting position: Any



KBJ6		
Dim	Min	Max
A	29.80	30.20
B	19.80	20.20
C	4.45	4.75
C1	3.45	3.75
C2	2.50	2.80
E	0.60	0.80
F	17.40	18.00
F1	3.60	4.20
I1	1.95	2.25
I2	2.25	2.55
I3	0.85	1.15
K	9.70	10.30
K1	7.20	7.80
P	Ø3.20 Typical	
All Dimensions in mm		

Maximum Ratings (@TA = 25°C unless otherwise specified)

Characteristic	Symbol	KBJ35A	KBJ35B	KBJ35D	KBJ35G	KBJ35J	KBJ35K	KBJ35M	UNITS
Maximum recurrent peak reverse voltage	V_{RRM}	50	100	200	400	600	800	1000	V
Maximum RMS voltage	V_{RMS}	35	70	140	280	420	560	700	V
Maximum DC blocking voltage	V_{DC}	50	100	200	400	600	800	1000	V
Maximum average forward Output current @TA=25°C	$I_{F(AV)}$	35.0							A
Peak forward surge current 8.3ms single half-sine-wave superimposed on rated load	I_{FSM}	400.0							A
I ² t Rating for fusing @Tj=25°C	I ² t	508							A ² S

Thermal Characteristics

Characteristic	Symbol	KBJ35A	KBJ35B	KBJ35D	KBJ35G	KBJ35J	KBJ35K	KBJ35M	UNITS
Typical junction capacitance per element	C_J	140							p F
Typical thermal resistance	$R_{\theta JA}$ $R_{\theta JC}$	22 0.8							°C/W
Operating junction temperature range	T_J	- 55 ---- + 150							°C
Storage temperature range	T_{STG}	- 55 ---- + 150							°C

Electrical Characteristics (@TA = 25°C unless otherwise specified)

Characteristic	Symbol	KBJ35A	KBJ35B	KBJ35D	KBJ35G	KBJ35J	KBJ35K	KBJ35M	UNITS
Maximum instantaneous forward voltage @17.5A @35.0A	V_F	1.0 1.1							V
Maximum reverse current @TA=25°C at rated DC blocking voltage @TA=100°C	I_R	5.0 0.5							μ A mA

TYPICAL CHARACTERISTIC CURVES

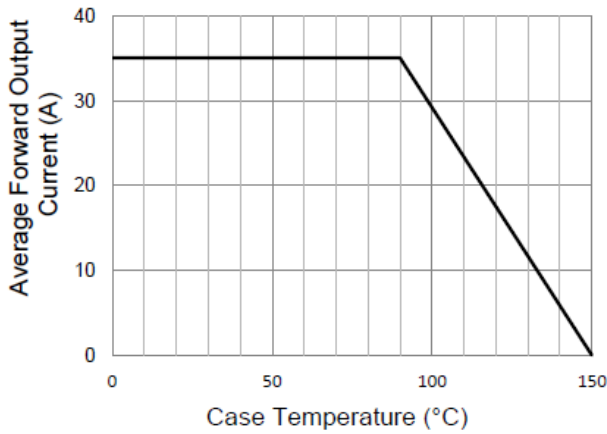


Fig.1 Forward Current Derating Curve

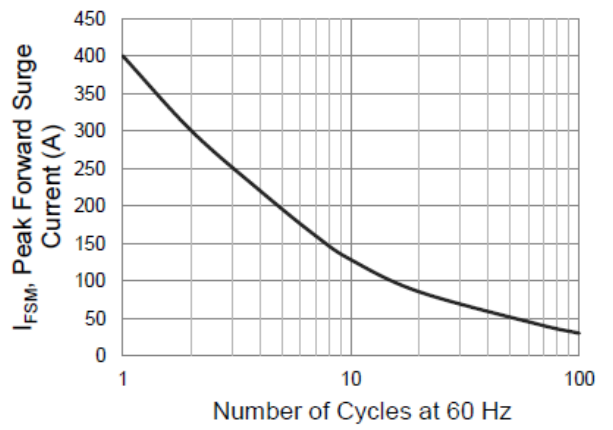


Fig.2 Maximum Forward Surge Current

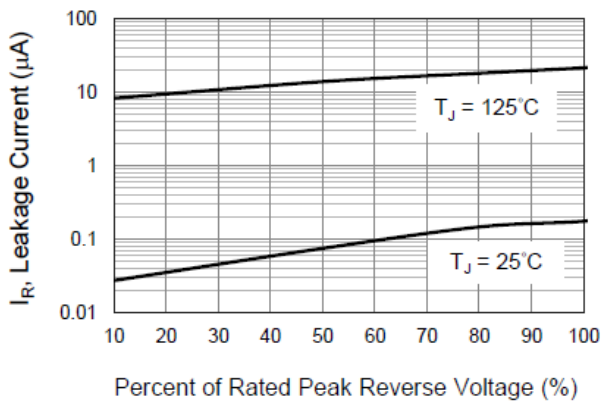


Fig.3 Typical Reverse Characteristics

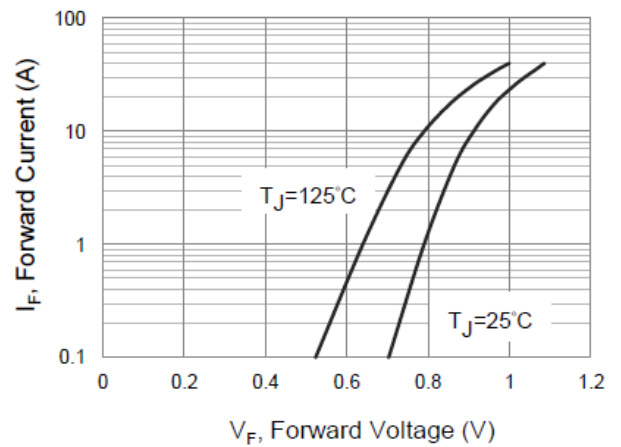


Fig.4 Typical Forward Characteristics

Device	Package	Shipping
KBJ35A--KBJ35M	KBJ6	250 Units/Box